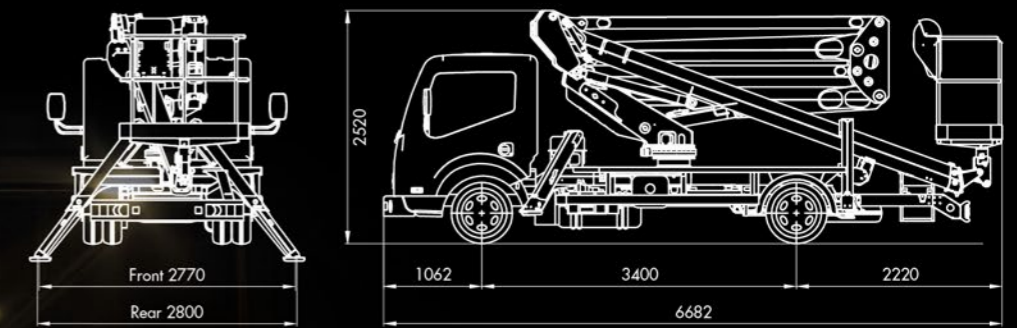


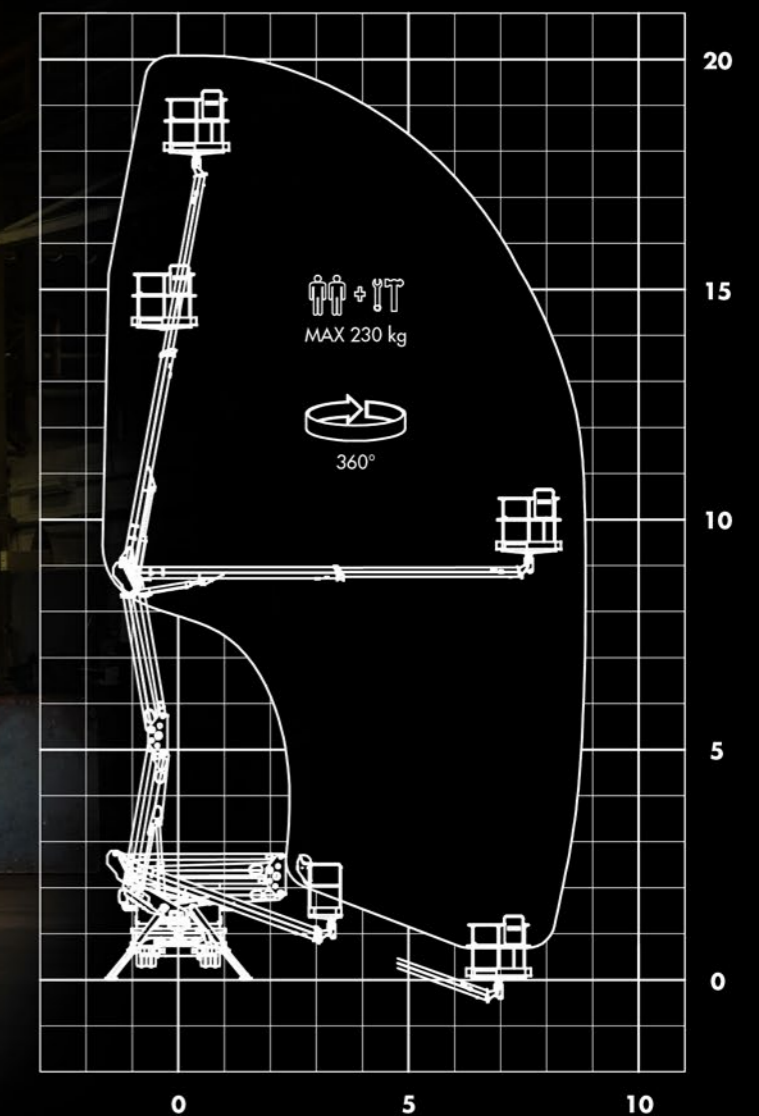
# PNT 205N

Truck-mounted aerial lift work platform  
 Piattaforma per lavoro aereo autocarrata

Overall dimensions (millimeters)



Working diagram (meters)



## Specifications

-   
**230 kg**
-   
**9,10 m**
-   
**20 m**
-   
**18 m**
-   
**1400 x 710 x 1100 mm**
-   
**+ / - 90°**
-   
**A + A**
-   
**Electro - hydraulic**
-   
**Aluminium**
-   
**550°**