

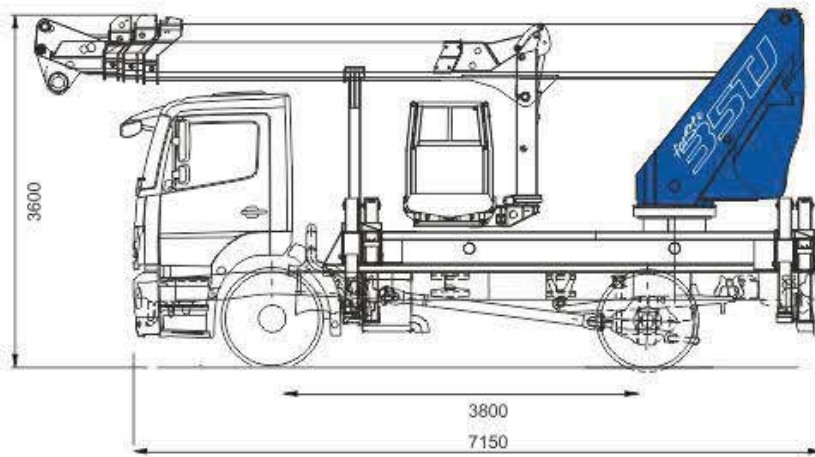
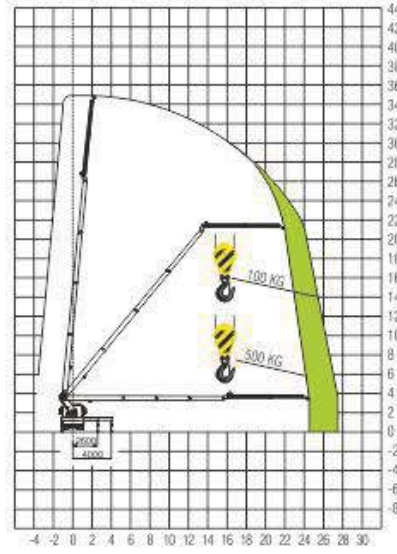
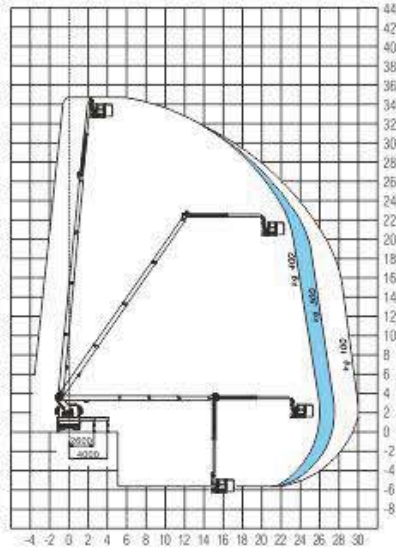
35,00 m

33,00 m

30,00 m

230x330x90x110

400 kg



**18** TON.

forSte  
**35TJ**



500 kg

700°

aluminium

360°

electro

HE+HE