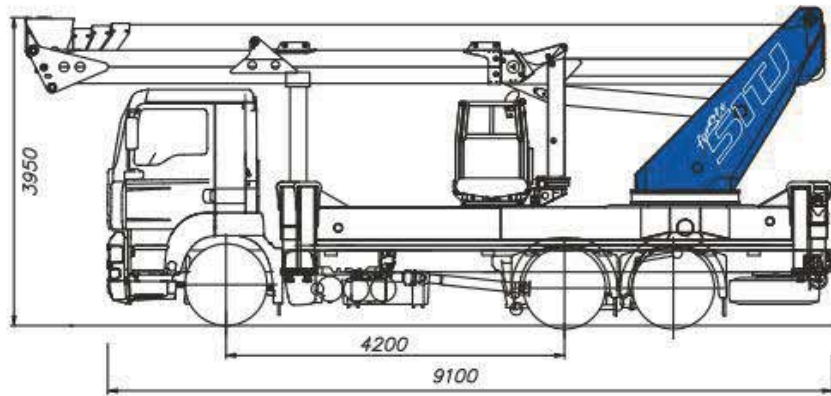
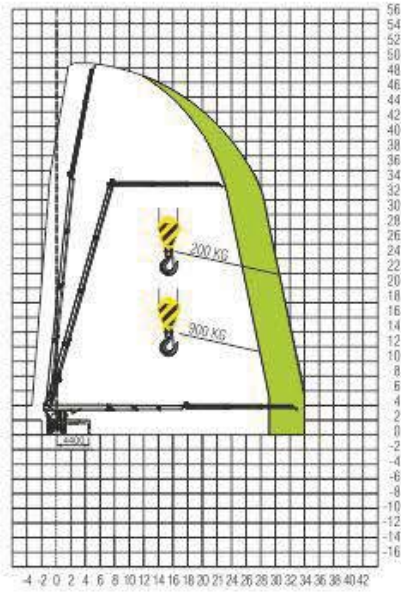
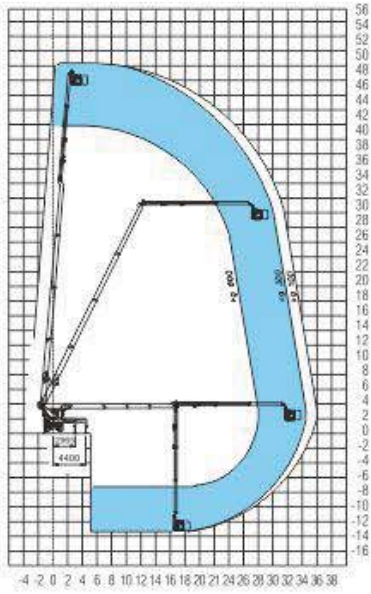


51,00 m | 49,00 m | 36,00 m | 230x360x90x110 | 600 kg



26 TON

forSte
SITW



900 kg

700°

aluminium

360°

electro

HE+HE